

## GM-BH Stainless Steel 316 Butterfly Hinge

### Features

- Modern shape and simplified two seam barrel design
- The unique patented covers are built into the pivot for permanent use and concealing the screws
- Push cover to snap in place, can be unsnapped by using a small flat-head screwdriver
- Fits different countersunk screw types

### Product Performance

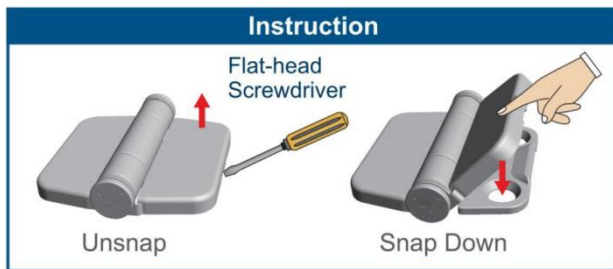
- Passed 500 hours salt-spray test

### Material

- Stainless steel 316

### Notes

- Silicon caulking on cover is required for specific application use
- If this hinge is mounted in the pocket, make sure to have enough room around the hinge leaves to allow the covers to be snapped down

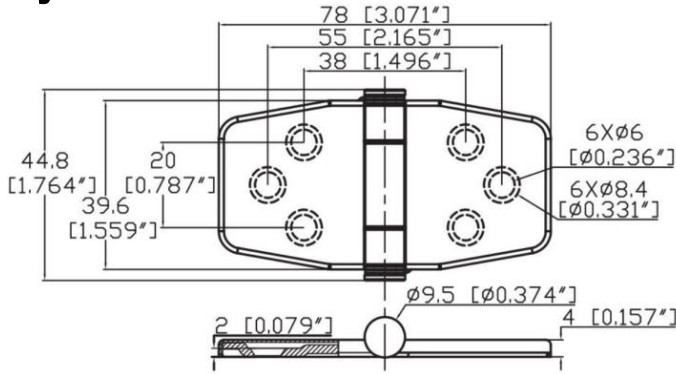


### Barrel Up Style



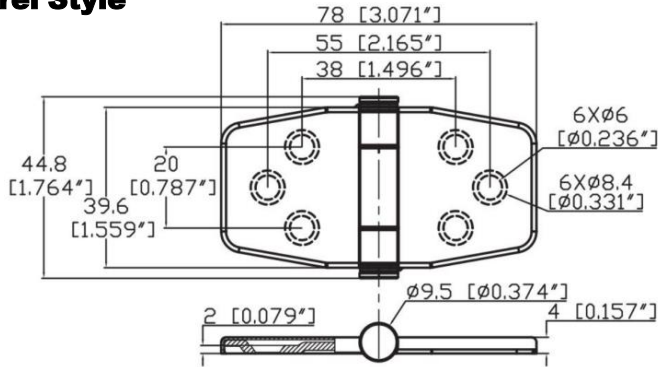
Part No.	Dimensions	Screw Size
GM-BH-A219311	39.6 x 41.8	#8 or M4

## Barrel Up Style



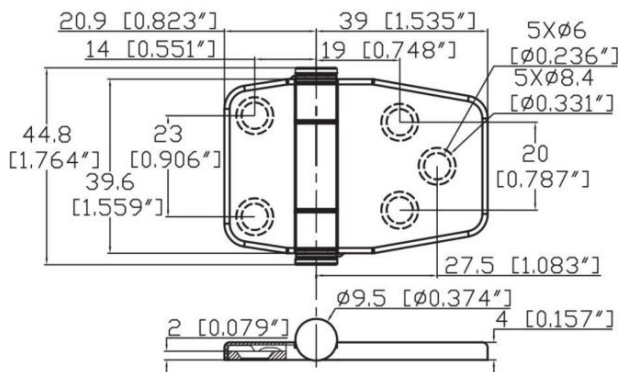
Part No.	Dimensions	Screw Size
GM-BH-A319313	39.6 x 78	#8 or M4

## Centre Barrel Style



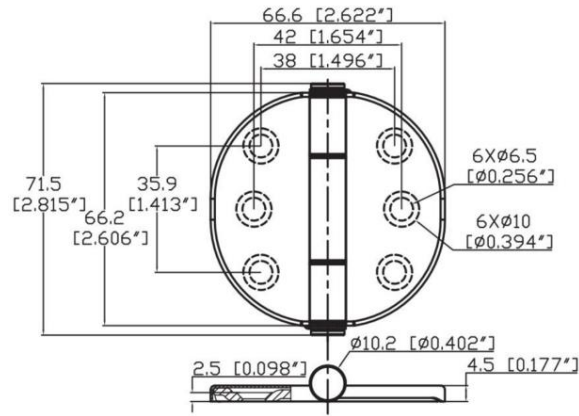
Part No.	Dimensions	Screw Size
GM-BH-A319413	39.6 x 78	#8 or M4

## Barrel Up Style



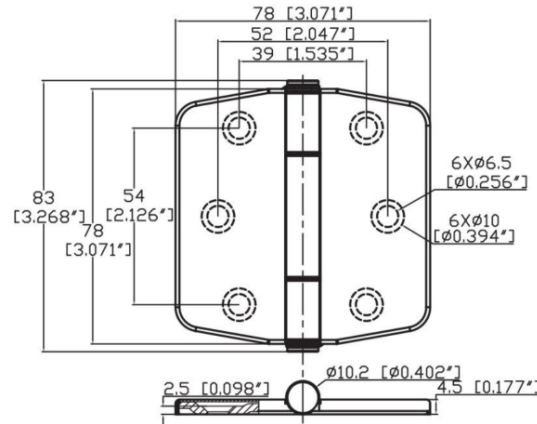
Part No.	Dimensions	Screw Size
GM-BH-A319317	39.6 x 59.9	#8 or M4

### Barrel Up Style



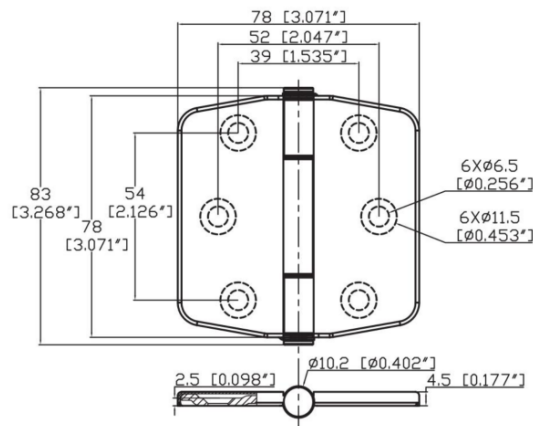
Part No.	Dimensions	Screw Size
GM-BH-A319319	66.2 x 66.6	#10 or M5

### Barrel Up Style



Part No.	Dimensions	Screw Size
GM-BH-A319315	78 x 78	#10 or M5

### Centre Barrel Style



Part No.	Dimensions	Screw Size
GM-BH-A319415	78 x 78	#10 or M5